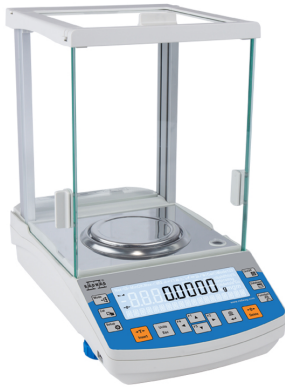




More information on the website
radwag.com/en/info,w1,ZAE

AS 220.R2 PLUS Analytical Balance



AS 220.R2 PLUS Analytical Balance

Functions



Autotest



Dosing



Percent Weighing



Totalizing



Parts counting



Peak hold



Newton unit
measurement



Statistics



Checkweighing



GLP Procedures



Animal weighing



Density determination

Datasheet

	AS 220.R2 PLUS Analytical Balance
Metrological parameters	
Maximum capacity [Max]	220 g
Minimum load	10 mg
Readability [d]	0,1 mg
Verification scale interval [e]	1 mg
Tare range	-220 g
Standard repeatability [5% Max]	0,07 mg
Standard repeatability [Max]	0,08 mg
Standard minimum weight (USP)	140 mg
Standard minimum weight (U=1%, k=2)	14 mg
Permissible repeatability [5% Max]	0,09 mg
Permissible repeatability [Max]	0,1 mg
Linearity	±0,2 mg
Stabilization time	2 s
Adjustment	internal (automatic)
OIML Class	I
Physical parameters	
Leveling system	manual
Display	LCD (backlit)
Delivery components	Balance, weighing pan, weighing pan shield, bottom cover, power supply.
Weighing pan dimensions	ø100 mm
Packaging dimensions	495×400×515 mm
Net weight	7,3 kg
Gross weight	9,3 kg
Communication interface	
Communication interface	2×RS232 ¹ , 2×USB-A (interchangeable), USB-B, Wi-Fi (option)
Electrical parameters	
Power supply	Adapter: 100 or 240V AC 50/60Hz 0,6A; 12V DC 1,2A Balance: 12 – 15V DC 0,4A max
Power consumption max.	3 W
Environmental conditions	
Operating temperature	+10 ÷ +40 °C

Repeatability is expressed as a standard deviation from 10 weighing cycles. Stabilization time depends on the ambient conditions and the dynamics of weighing pan loading; specified for FAST profile. 1 Barcode scanners, available as weighing instrument accessory, communicate with the instrument via RS232 interface exclusively.

* Wi-Fi® is a registered trademark of Wi-Fi® Alliance.



Accessories

Holders for laboratory flasks
 Barcode scanners
 Cigarette lighter receptacle power supply cables
 Density determination KIT
 USB cable (scale - printer)
 Receipt Printer

Antivibration Tables
 Displays
 Protective cover for balances
 Antistatic ionizer
 AP2-1 Current Loop Unit
 RPANEL BOX

Professional weighing table
Holders for test tubes and filters
Workstation for Pipettes Calibration

RS 232, RS 485 cables
Under-Pan Weighing Rack
RS 232 cables (scale - printer)

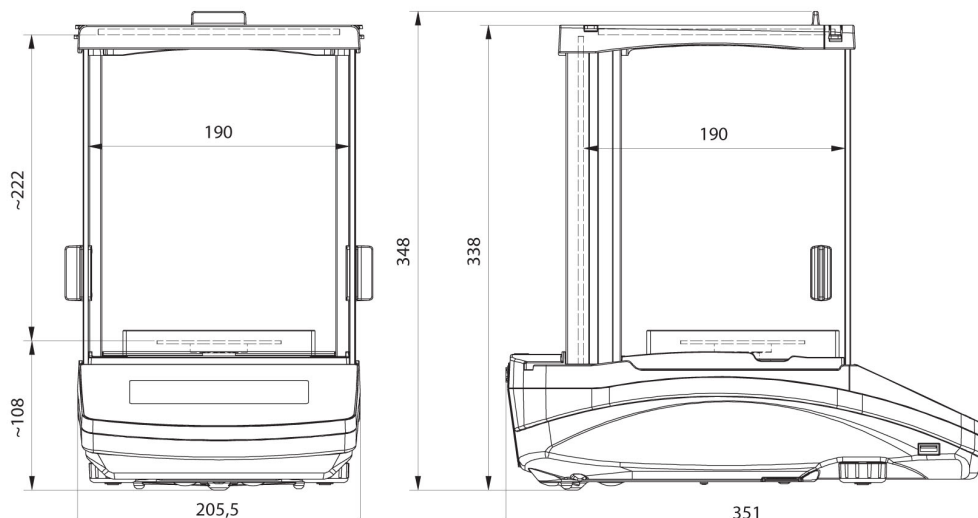
Software

RAD-KEY
R Panel
R-LAB
E2R System

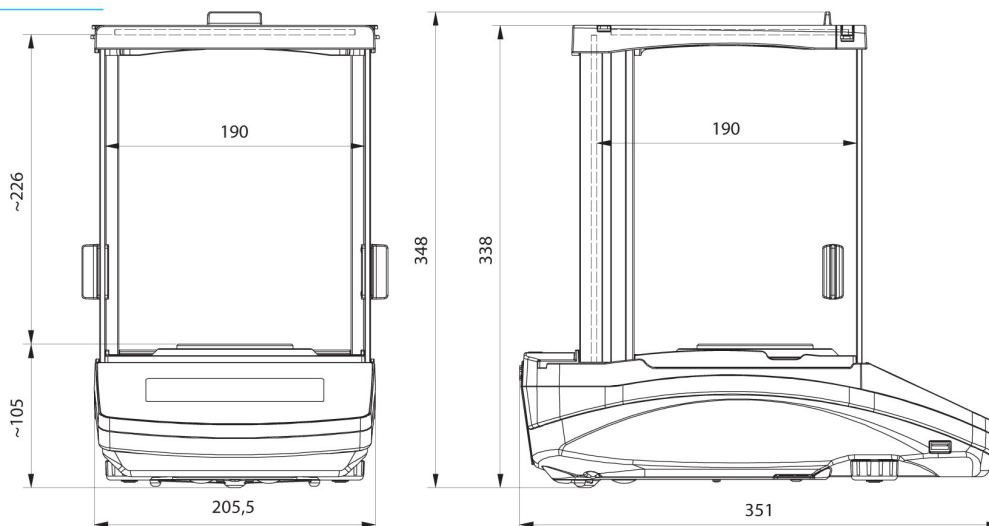
LabVIEW Driver
Alibi Reader
RADWAG Development Studio
R.Barcode

Device dimensions

AS 220.R2 PLUS Analytical Balance



AS R2, d = 0.01 mg



AS R2, AS R1 d = 0.1 mg