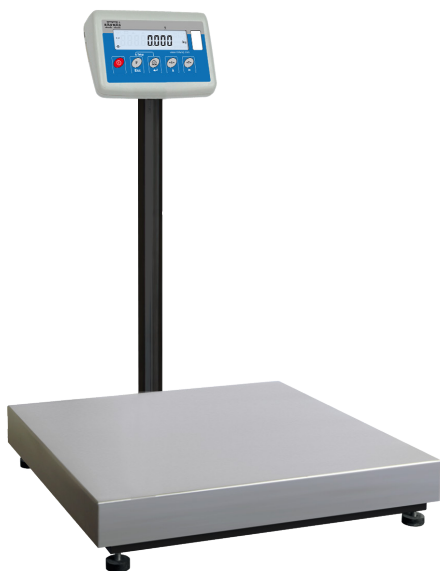


C315 Load Cell Platform Scale

Uncomplicated operation and excellent precision of weighing process in vast range of industrial applications



C315.C3.M
indicator on a post



C315.C2.K
indicator connected via cable



C315.F1.M
weighing pan with rounded corners











C315.C3.R
indicator next to the platform



PUE C315 indicator with LCD
display in ABS housing

Functions

-  Parts counting
-  Percent weighing
-  Totalizing
-  In-built battery
-  Replaceable units
-  +/- control
-  Animal weighing
-  Peak hold

Features

Precise Weighing Results in Industrial Conditions

C315 Load Cell Platform Scale enables fast and precise mass measurements in industrial conditions.

Reliability and Safety

Robust platform made of powder-coated steel and stainless steel weighing pan enable weighing different types of loads, ensuring durability and endurance in everyday use.

Special-Purpose Scale

Various possibilities of fastening the indicator to the weighing platform enable selecting appropriate solution for different places of operation. The indicator can be mounted next to the platform, on a post or using cable.

Cooperation with PUE C315 Indicator

The scale can be operated via uncomplicated and reliable PUE C315 indicator housed in an ABS housing.

Uncomplicated Operation and Clear Presentation of Indications

Due to a backlit LCD display the measurement result is clearly visible. Easy operation enables fast and reliable measurements to be carried out even by an inexperienced operator.

Uninterrupted Operation due to an Internal battery

Integrated battery of the weighing indicator enable several hours long mobile operation.

Ergonomics and Comfort of Operation

With use of a long cable it is possible to locate the indicator in a place facilitating convenient operation or on the wall. An additional accessory enables placing the indicator on a stand.

Customizable Instrument

Numerous variants of weighing pan dimensions and broad range of maximum capacities enable selecting the best weighing instrument suiting specific requirements and needs.

Technical Specifications

	C315.1,5.F1.M C315.1,5.F1.R C315.1,5.F1.K	C315.3.F1.M C315.3.F1.R C315.3.F1.K	C315.6.F1.M* C315.6.F1.R* C315.6.F1.K*
Maximum capacity [Max]	1.5 kg	3 kg	6 kg
Minimum capacity	10 g	20 g	40 g
Readability [d]	0.5 g	1 g	2 g
Max readability for non-verified scale	0.2 g	0.2 g	0.2 g
Verification unit [e]	0.5 g	1 g	2 g
Tare range	-1.5 kg	-3 kg	-6 kg
Verification	Yes	Yes	Yes
OIML class	III	III	III
Platform material	St3S powder-coated steel	St3S powder-coated steel	St3S powder-coated steel
Weighing pan material	AISI304 stainless steel	AISI304 stainless steel	AISI304 stainless steel
Indicator fastening	on a post (.M) next to the platform (.R) on a cable (.K)	on a post (.M) next to the platform (.R) on a cable (.K)	on a post (.M) next to the platform (.R) on a cable (.K)
Display	LCD (with backlight)	LCD (with backlight)	LCD (with backlight)
Keyboard	5 keys	5 keys	5 keys
Indicator	PUE C315	PUE C315	PUE C315
Ingress protection - design	IP 65	IP 65	IP 65
Ingress protection - indicator	IP 43	IP 43	IP 43
RS 232	1	1	1
Wi-Fi	1	1	1
RS 232**	1	1	1
Power supply	100 ÷ 240 V AC 50 ÷ 60 Hz / 12 V DC + battery	100 ÷ 240 V AC 50 ÷ 60 Hz / 12 V DC + battery	100 ÷ 240 V AC 50 ÷ 60 Hz / 12 V DC + battery
Battery operation time	to 8 hours	to 8 hours	to 8 hours
Power consumption	5 W	5 W	5 W
Operating temperature	-10 ÷ +40 °C	-10 ÷ +40 °C	-10 ÷ +40 °C
Relative humidity***	10 ÷ 80%	10 ÷ 80%	10 ÷ 80%
Transport and storage temperature	-10 ÷ +50 °C	-10 ÷ +50 °C	-10 ÷ +50 °C
Weighing pan dimensions	300 × 300 mm	300 × 300 mm	300 × 300 mm
Indicator dimensions	181 × 136 × 60 mm	181 × 136 × 60 mm	181 × 136 × 60 mm
Overall dimensions	440 × 300 × 363 mm (.M) 445 × 300 × 73 mm (.R)	440 × 300 × 363 mm (.M) 445 × 300 × 73 mm (.R)	440 × 300 × 363 mm (.M) 445 × 300 × 73 mm (.R)
Net weight	5.3 kg (.M) 5.3 kg (.R) 5.2 kg (.K)	5.3 kg (.M) 5.3 kg (.R) 5.2 kg (.K)	5.3 kg (.M) 5.3 kg (.R) 5.2 kg (.K)
Gross weight	6.6 kg (.M) 6.1 kg (.R) 6 kg (.K)	6.6 kg (.M) 6.1 kg (.R) 6 kg (.K)	6.6 kg (.M) 6.1 kg (.R) 6 kg (.K)
Packaging dimensions	570 × 390 × 170 mm	570 × 390 × 170 mm	570 × 390 × 170 mm

* option: dual range weighing instrument

** optional scale design

*** non-condensing conditions

Wi-Fi® is a registered trademark of Wi-Fi® Alliance.

	C315.15.F1.M* C315.15.F1.R* C315.15.F1.K*	C315.30.F1.M* C315.30.F1.R* C315.30.F1.K*	C315.15.C2.M C315.15.C2.R C315.15.C2.K
Maximum capacity [Max]	15 kg	30 kg	15 kg
Minimum capacity	100 g	200 g	100 g
Readability [d]	5 g	10 g	5 g
Max readability for non-verified scale	0.5 g	1 g	1 g
Verification unit [e]	5 g	10 g	5 g
Tare range	-15 kg	-30 kg	-15 kg
Verification	Yes	Yes	Yes
OIML class	III	III	III
Platform material	St3S powder-coated steel	St3S powder-coated steel	St3S powder-coated steel
Weighing pan material	AlSi304 stainless steel	AlSi304 stainless steel	AlSi304 stainless steel
Indicator fastening	on a post (.M) next to the platform (.R) on a cable (.K)	on a post (.M) next to the platform (.R) on a cable (.K)	on a post (.M) next to the platform (.R) on a cable (.K)
Display	LCD (with backlight)	LCD (with backlight)	LCD (with backlight)
Keyboard	5 keys	5 keys	5 keys
Indicator	PUE C315	PUE C315	PUE C315
Ingress protection - design	IP 65	IP 65	IP 65
Ingress protection - indicator	IP 43	IP 43	IP 43
RS 232	1	1	1
Wi-Fi	1	1	1
RS 232**	1	1	1
Power supply	100 ÷ 240 V AC 50 ÷ 60 Hz / 12 V DC + battery	100 ÷ 240 V AC 50 ÷ 60 Hz / 12 V DC + battery	100 ÷ 240 V AC 50 ÷ 60 Hz / 12 V DC + battery
Battery operation time	to 8 hours	to 8 hours	to 8 hours
Power consumption	5 W	5 W	5 W
Operating temperature	-10 ÷ +40 °C	-10 ÷ +40 °C	-10 ÷ +40 °C
Relative humidity***	10 ÷ 80%	10 ÷ 80%	10 ÷ 80%
Transport and storage temperature	-10 ÷ +50 °C	-10 ÷ +50 °C	-10 ÷ +50 °C
Weighing pan dimensions	300 × 300 mm	300 × 300 mm	400 × 500 mm
Indicator dimensions	181 × 136 × 60 mm	181 × 136 × 60 mm	181 × 136 × 60 mm
Overall dimensions	440 × 300 × 363 mm (.M) 445 × 300 × 73 mm (.R)	440 × 300 × 363 mm (.M) 445 × 300 × 73 mm (.R)	509 × 502 × 751 mm (.M) 402 × 544 × 103 mm (.R)
Net weight	5.3 kg (.M) 5.3 kg (.R) 5.2 kg (.K)	5.3 kg (.M) 5.3 kg (.R) 5.2 kg (.K)	12.4 kg (.M) 10.9 kg (.R) 10.8 kg (.K)
Gross weight	6.6 kg (.M) 6.1 kg (.R) 6 kg (.K)	6.6 kg (.M) 6.1 kg (.R) 6 kg (.K)	14.7 kg (.M) 13.2 kg (.R) 13.1 kg (.K)
Packaging dimensions	570 × 390 × 170 mm	570 × 390 × 170 mm	720 × 620 × 210 mm

* option: dual range weighing instrument

** optional scale design

*** non-condensing conditions

Wi-Fi® is a registered trademark of Wi-Fi® Alliance.

	C315.30.C2.M* C315.30.C2.R* C315.30.C2.K*	C315.60.C2.M* C315.60.C2.R* C315.60.C2.K*	C315.150.C2.M* C315.150.C2.R* C315.150.C2.K*
Maximum capacity [Max]	30 kg	60 kg	150 kg
Minimum capacity	200 g	400 g	1000 g
Readability [d]	10 g	20 g	50 g
Max readability for non-verified scale	1 g	2 g	5 g
Verification unit [e]	10 g	20 g	50 g
Tare range	-30 kg	-60 kg	-150 kg
Verification	Yes	Yes	Yes
OIML class	III	III	III
Platform material	St3S powder-coated steel	St3S powder-coated steel	St3S powder-coated steel
Weighing pan material	AISI304 stainless steel	AISI304 stainless steel	AISI304 stainless steel
Indicator fastening	on a post (.M) next to the platform (.R) on a cable (.K)	on a post (.M) next to the platform (.R) on a cable (.K)	on a post (.M) next to the platform (.R) on a cable (.K)
Display	LCD (with backlight)	LCD (with backlight)	LCD (with backlight)
Keyboard	5 keys	5 keys	5 keys
Indicator	PUE C315	PUE C315	PUE C315
Ingress protection - design	IP 65	IP 65	IP 65
Ingress protection - indicator	IP 43	IP 43	IP 43
RS 232	1	1	1
Wi-Fi	1	1	1
RS 232**	1	1	1
Power supply	100 ÷ 240 V AC 50 ÷ 60 Hz / 12 V DC + battery	100 ÷ 240 V AC 50 ÷ 60 Hz / 12 V DC + battery	100 ÷ 240 V AC 50 ÷ 60 Hz / 12 V DC + battery
Battery operation time	to 8 hours	to 8 hours	to 8 hours
Power consumption	5 W	5 W	5 W
Operating temperature	-10 ÷ +40 °C	-10 ÷ +40 °C	-10 ÷ +40 °C
Relative humidity***	10 ÷ 80%	10 ÷ 80%	10 ÷ 80%
Transport and storage temperature	-10 ÷ +50 °C	-10 ÷ +50 °C	-10 ÷ +50 °C
Weighing pan dimensions	400 × 500 mm	400 × 500 mm	400 × 500 mm
Indicator dimensions	181 × 136 × 60 mm	181 × 136 × 60 mm	181 × 136 × 60 mm
Overall dimensions	509 × 502 × 751 mm (.M) 402 × 544 × 103 mm (.R)	509 × 502 × 751 mm (.M) 402 × 544 × 103 mm (.R)	509 × 502 × 751 mm (.M) 402 × 544 × 103 mm (.R)
Net weight	12.4 kg (.M) 10.9 kg (.R) 10.8 kg (.K)	12.4 kg (.M) 10.9 kg (.R) 10.8 kg (.K)	12.4 kg (.M) 10.9 kg (.R) 10.8 kg (.K)
Gross weight	14.7 kg (.M) 13.2 kg (.R) 13.1 kg (.K)	14.7 kg (.M) 13.2 kg (.R) 13.1 kg (.K)	14.7 kg (.M) 13.2 kg (.R) 13.1 kg (.K)
Packaging dimensions	720 × 620 × 210 mm	720 × 620 × 210 mm	720 × 620 × 210 mm

* option: dual range weighing instrument

** optional scale design

*** non-condensing conditions

Wi-Fi® is a registered trademark of Wi-Fi® Alliance.

	C315.300.C2.M* C315.300.C2.R* C315.300.C2.K*	C315.15.C3.M C315.15.C3.K	C315.30.C3.M* C315.30.C3.K*
Maximum capacity [Max]	300 kg	15 kg	30 kg
Minimum capacity	1000 g	100 g	200 g
Readability [d]	100 g	5 g	10 g
Max readability for non-verified scale	10 g	1 g	1 g
Verification unit [e]	100 g	5 g	10 g
Tare range	-300 kg	-15 kg	-30 kg
Verification	Yes	Yes	Yes
OIML class	III	III	III
Platform material	St3S powder-coated steel	St3S powder-coated steel	St3S powder-coated steel
Weighing pan material	AISI304 stainless steel	AISI304 stainless steel	AISI304 stainless steel
Indicator fastening	on a post (.M) next to the platform (.R) on a cable (.K)	on a post (.M) on a cable (.K)	on a post (.M) on a cable (.K)
Display	LCD (with backlight)	LCD (with backlight)	LCD (with backlight)
Keyboard	5 keys	5 keys	5 keys
Indicator	PUE C315	PUE C315	PUE C315
Ingress protection - design	IP 65	IP 65	IP 65
Ingress protection - indicator	IP 43	IP 43	IP 43
RS 232	1	1	1
Wi-Fi	1	1	1
RS 232**	1	1	1
Power supply	100 ÷ 240 V AC 50 ÷ 60 Hz / 12 V DC + battery	100 ÷ 240 V AC 50 ÷ 60 Hz / 12 V DC + battery	100 ÷ 240 V AC 50 ÷ 60 Hz / 12 V DC + battery
Battery operation time	to 8 hours	to 8 hours	to 8 hours
Power consumption	5 W	5 W	5 W
Operating temperature	-10 ÷ +40 °C	-10 ÷ +40 °C	-10 ÷ +40 °C
Relative humidity***	10 ÷ 80%	10 ÷ 80%	10 ÷ 80%
Transport and storage temperature	-10 ÷ +50 °C	-10 ÷ +50 °C	-10 ÷ +50 °C
Weighing pan dimensions	400 × 500 mm	700 × 500 mm	700 × 500 mm
Indicator dimensions	181 × 136 × 60 mm	181 × 136 × 60 mm	181 × 136 × 60 mm
Overall dimensions	509 × 502 × 751 mm (.M) 402 × 544 × 103 mm (.R)	701 × 501 × 754 mm (.M)	701 × 501 × 754 mm (.M)
Net weight	12.4 kg (.M) 10.9 kg (.R) 10.8 kg (.K)	23.2 kg (.M) 21.6 kg (.K)	23.2 kg (.M) 21.6 kg (.K)
Gross weight	14.7 kg (.M) 13.2 kg (.R) 13.1 kg (.K)	27 kg (.M) 25.6 kg (.K)	27 kg (.M) 25.6 kg (.K)
Packaging dimensions	720 × 620 × 210 mm	850 × 800 × 270 mm	850 × 800 × 270 mm

* option: dual range weighing instrument

** optional scale design

*** non-condensing conditions

Wi-Fi® is a registered trademark of Wi-Fi® Alliance.

	C315.60.C3.M* C315.60.C3.K*	C315.150.C3.M* C315.150.C3.K*	C315.300.C3.M* C315.300.C3.K*
Maximum capacity [Max]	60 kg	150 kg	300 kg
Minimum capacity	400 g	1000 g	1000 g
Readability [d]	20 g	50 g	100 g
Max readability for non-verified scale	2 g	5 g	10 g
Verification unit [e]	20 g	50 g	100 g
Tare range	-60 kg	-150 kg	-300 kg
Verification	Yes	Yes	Yes
OIML class	III	III	III
Platform material	St3S powder-coated steel	St3S powder-coated steel	St3S powder-coated steel
Weighing pan material	AISI304 stainless steel	AISI304 stainless steel	AISI304 stainless steel
Indicator fastening	on a post (.M) on a cable (.K)	on a post (.M) on a cable (.K)	on a post (.M) on a cable (.K)
Display	LCD (with backlight)	LCD (with backlight)	LCD (with backlight)
Keyboard	5 keys	5 keys	5 keys
Indicator	PUE C315	PUE C315	PUE C315
Ingress protection - design	IP 65	IP 65	IP 65
Ingress protection - indicator	IP 43	IP 43	IP 43
RS 232	1	1	1
Wi-Fi	1	1	1
RS 232**	1	1	1
Power supply	100 ÷ 240 V AC 50 ÷ 60 Hz / 12 V DC + battery	100 ÷ 240 V AC 50 ÷ 60 Hz / 12 V DC + battery	100 ÷ 240 V AC 50 ÷ 60 Hz / 12 V DC + battery
Battery operation time	to 8 hours	to 8 hours	to 8 hours
Power consumption	5 W	5 W	5 W
Operating temperature	-10 ÷ +40 °C	-10 ÷ +40 °C	-10 ÷ +40 °C
Relative humidity***	10 ÷ 80%	10 ÷ 80%	10 ÷ 80%
Transport and storage temperature	-10 ÷ +50 °C	-10 ÷ +50 °C	-10 ÷ +50 °C
Weighing pan dimensions	700 × 500 mm	700 × 500 mm	700 × 500 mm
Indicator dimensions	181 × 136 × 60 mm	181 × 136 × 60 mm	181 × 136 × 60 mm
Overall dimensions	701 × 501 × 754 mm (.M)	701 × 501 × 754 mm (.M)	701 × 501 × 754 mm (.M)
Net weight	23.2 kg (.M) 21.6 kg (K)	23.2 kg (.M) 21.6 kg (K)	23.2 kg (.M) 21.6 kg (K)
Gross weight	27 kg (.M) 25.6 kg (K)	27 kg (.M) 25.6 kg (K)	27 kg (.M) 25.6 kg (K)
Packaging dimensions	850 × 800 × 270 mm	850 × 800 × 270 mm	850 × 800 × 270 mm

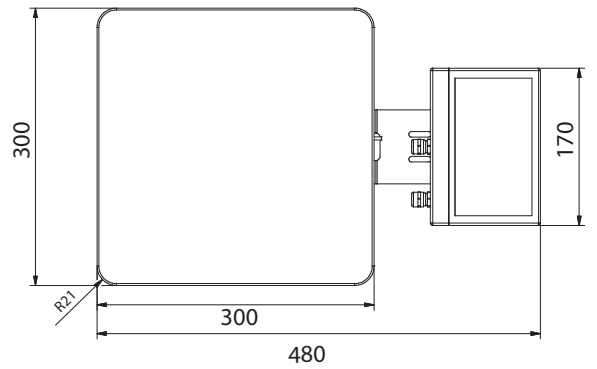
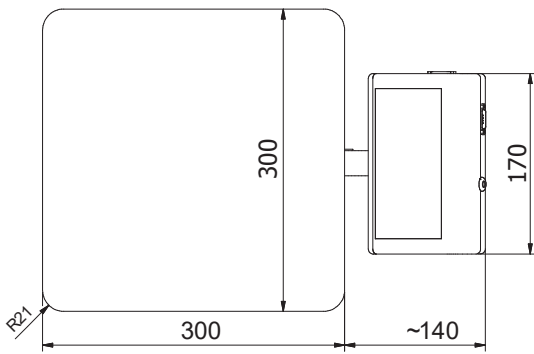
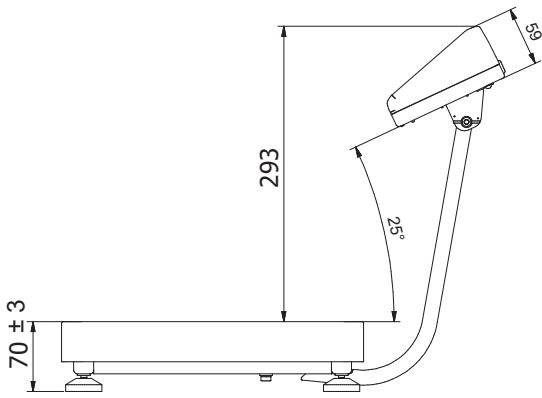
* option: dual range weighing instrument

** optional scale design

*** non-condensing conditions

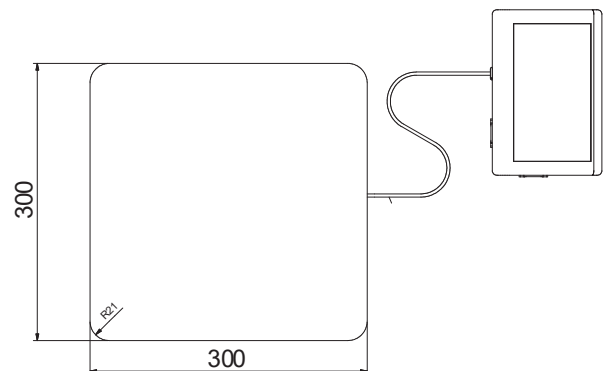
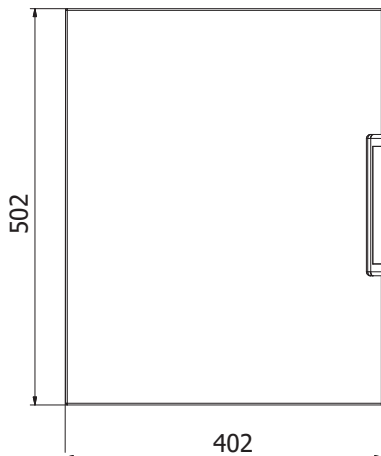
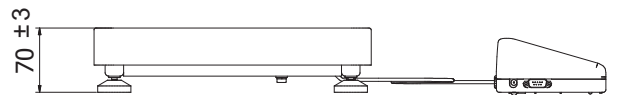
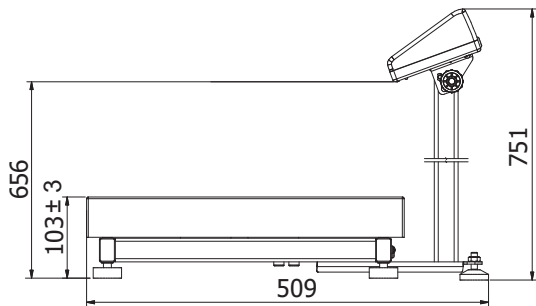
Wi-Fi® is a registered trademark of Wi-Fi® Alliance.

Dimensions



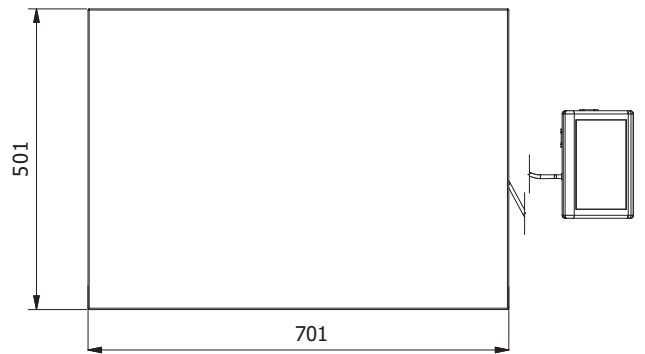
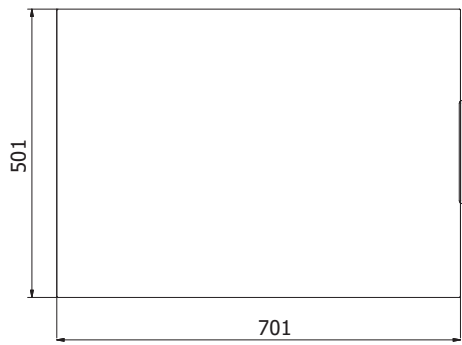
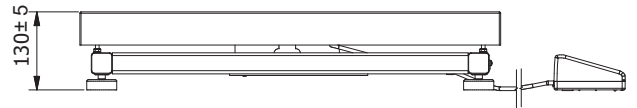
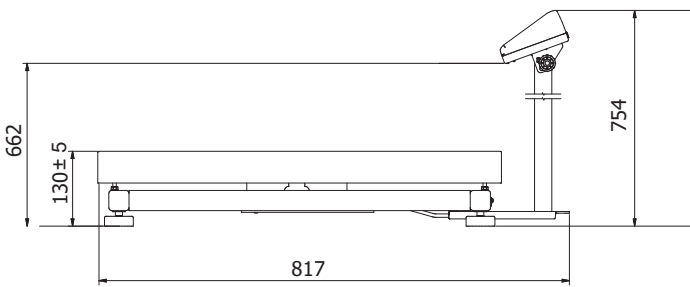
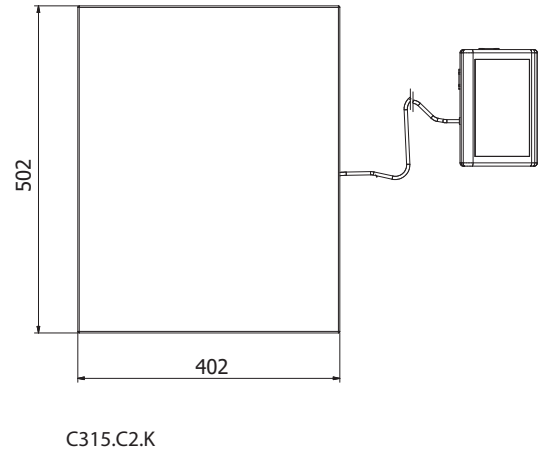
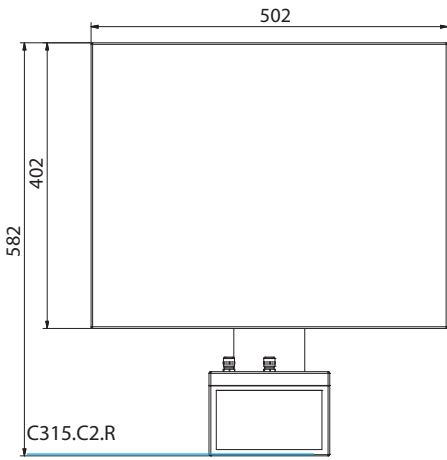
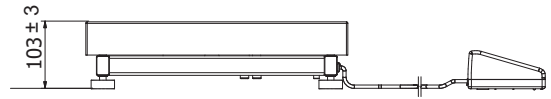
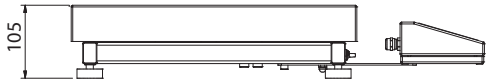
C315.F1.M

C315.F1.R



C315.C2.M

C315.C2.K



C315.C3.M

C315.C3.K

Accessories

Peripheral Devices

- dot matrix Epson printer
- LCD – WD-4/1 display (backlit)
- WWG-2/7 large-size display

Cables, Converters

- RS-232 – P0108 computer cable
- RS-232 – P0151 Epson printer cable
- RS232 – KR-04-1 converter

- RS232/RS485 – KR-01 converter
- AP2-1 – current loop unit
- AP2-3 – current loop unit (for PUE C/31H)
- K0047 – cigarette lighter cable

Remaining accessories

- stands for indicators
- ramps for scales

Dedicated Software

R-LAB

- collecting measurements
- carrying out statistical analysis of measurements
- customized graphs and reports

LabView Driver

- operation of RADWAG balances in LabView environment

Scale editor

- software designed to enable change of parameters in the PUE C315 indicator

RADWAG Development Studio

- presentation of functions (and subfunctions) of communication protocol (Common Communication Protocol)
- possibility of connection with weighing equipment on which each function is carried out
- library with mass control, contained within the development environment
- complete documentation of the communication protocol
- set of user manuals for different solutions addressed for programmers employed in companies using RADWAG-manufactured weighing equipment

RADWAG Connect

- establishing communication with all balances, scales and weighing modules using Common Communication Protocol
- communication via local network
- support of basic functions
- auto searching for devices
- connecting with few devices simultaneously, swapping between them
- clear list of connected platforms
- record of measurements in the program
- export of carried out measurements to CSV file
- work performed using freely selected device with Windows 10 operating system

RAD-KEY

- establishing cooperation between a weighing instrument and a computer

R.Barcode

- the basic function software is presentation of the data sent by barcode scanners connected to PC via USB or RS232