

ONE ROLL. MORE WIPES.

 Kimberly-Clark
PROFESSIONAL™

Exceptional
Workplaces*

WYPALL* L10 Roll Control Wiping System

A breakthrough wiping technology with its innovative off-set perforated roll allows one hand dispensing, one sheet at a time thus ensuring hygiene and virtually eliminating waste.



WYPALL*
BRAND

WYPALL
BRAND

**MORE THAN
1,000
sheets**



Introducing the new WYPALL* L10 Roll Control Wiping System, now available with Table Top Dispenser



WIPE & GO

- Help to reduce number of steps during food preparation to enable speed of service especially for quick service restaurants.



HYGIENE & WELLNESS

- The single sheet-dispensing system is designed for users to touch only the wiper used, help reducing the spread of germs thus offering superior hygienic protection.



COST CONTROL

- Cost savings from one-at-a-time dispensing and less waste.
- Help to reduce usage of disinfectant solution.
- Efficiently sized for optimum use



ENDORSED BY HACCP INTERNATIONAL (Food Zone Secondary)

- Suitable for food contact surfaces.

Typical Applications

- USE "once" and DISPOSE
 - Wiping up water/oil spillages and food debris
 - Cleaning kitchen equipment, kitchenware, tableware and cutlery
 - Cleaning dust/stains



WYPALL* L10 Roll Control Wiping System suitable for

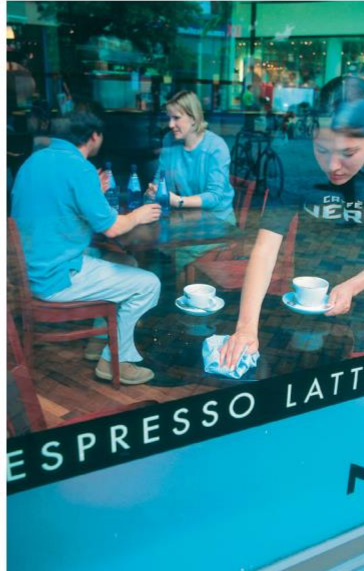
Hotel



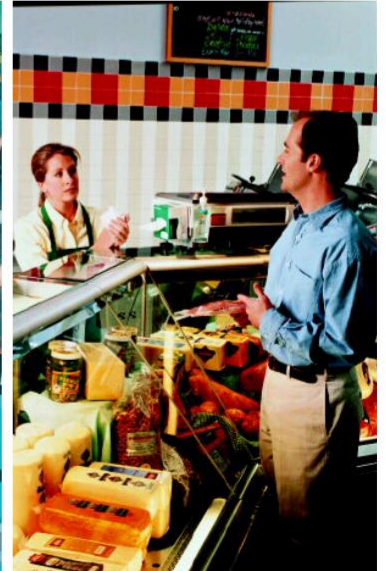
Food Processing



Food Service



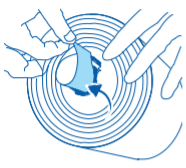
Grocery



WYPALL* L10 Roll Control Wipers & Roll Control Dispensers

LOADING AND DISPENSING INSTRUCTIONS

1. STEP



Take hold of the core of the roll and pull up vertically with two fingers.

2. STEP



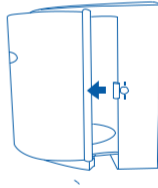
Carry on pulling until the entire core has come out of the roll.

3. STEP



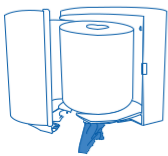
Once the core is completely out, continue pulling until you have taken out approx. 1,5 m of wiper. This is to ensure no glue residue remains that could interfere with the dispensing.

4. STEP



Open the dispenser lock located on the side of the dispenser using the key.

5. STEP

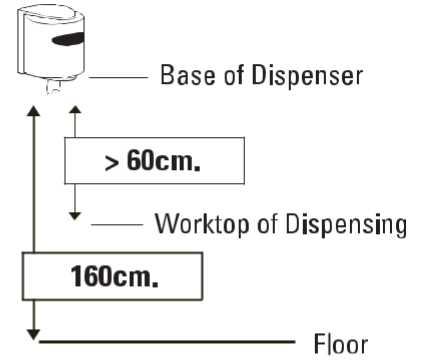


Place the roll inside the dispenser, making sure the sheets you already pulled out are aligned with the dispenser aperture.

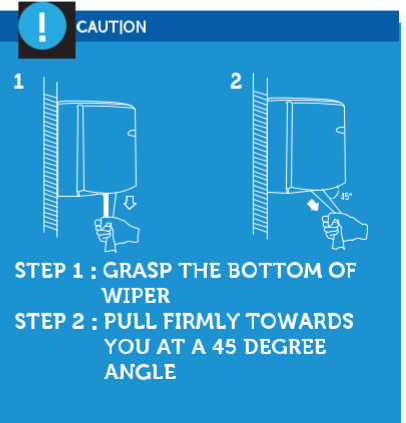
6. STEP



Close the dispenser. The Roll Control dispensing solution is now ready for use.



- Base of dispenser should not be less than 160cm. from the floor.
- Allow at least 60 cm clearance above a worktop for dispensing.



LOADING INSTRUCTIONS FOR TABLE TOP DISPENSERS

1. STEP



Pull the entire core out of the roll.

2. STEP



Unzip and open the cover. Insert the roll into the dispenser.

3. STEP









Thread the first sheet through the dispenser aperture and zip the cover.

Grasp the tip of the wiper and pull upwards.

The solution is now ready for use.

WYPALL* L10 Roll Control Wiping System

Description	Code No.	Colour	Case Contents	Sheet Size	HACCP International
WYPALL* L10 Roll Control Wipers RF	28888	White	6  x >1000 	18.00cm x 28.70cm	 (FZS)
WYPALL* L10 Roll Control Dispenser	09989	Smoke Grey	1 		 (SSZ)
WYPALL* L10 Table Top Dispenser		Transparent			

Malaysia

Call 1800 889 466

www.kcprofessional.com.my

Singapore

Call 1800 562 5275

www.kcprofessional.com.sg

Philippines

Call 632 8846 451

www.kcprofessional.com.ph

Indonesia

Call 6221 3040 0800

www.kcprofessional.co.id